

Surface Area, Volume and Capacity | Assignment 1

Name:

Date:

This assignment is...

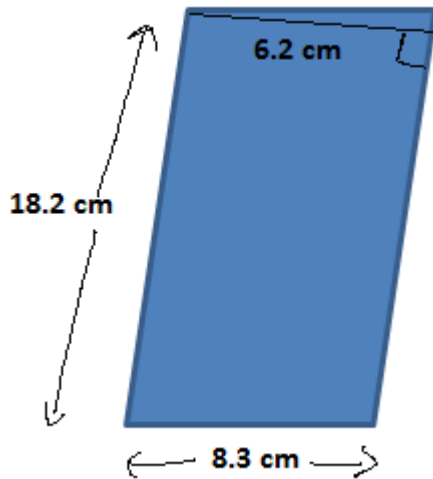
Is Good to go

Needs
Corrections

Make sure to show all of your work! You will be asked to make corrections if steps are not shown.

1. Find the area of the following shapes:

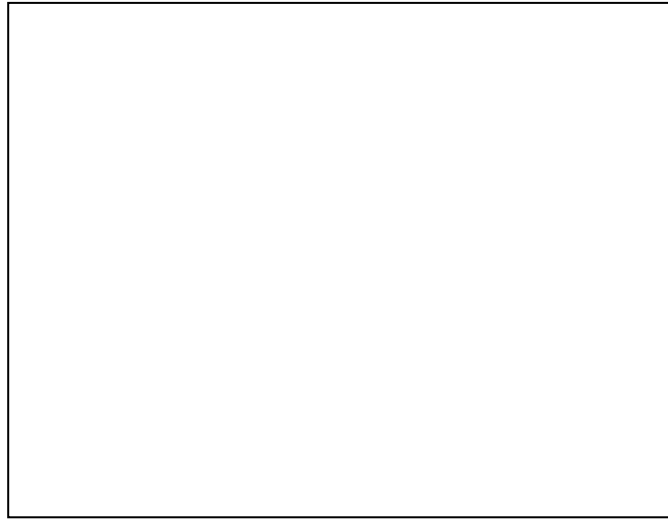
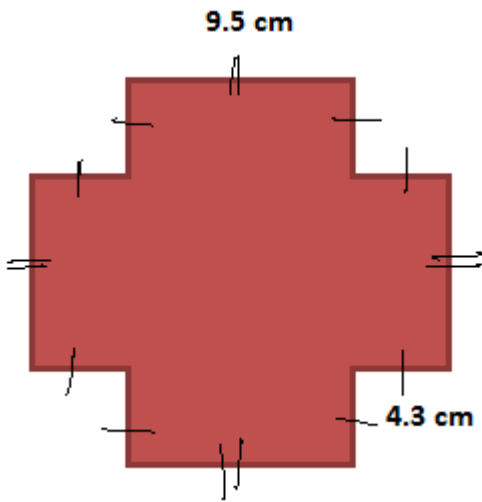
a)



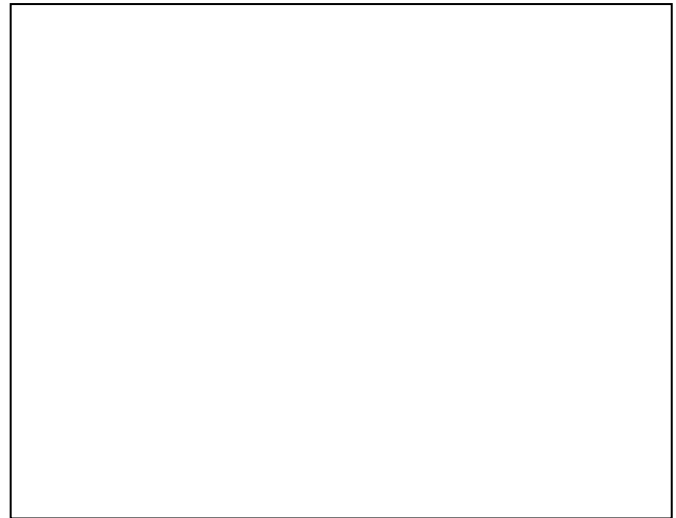
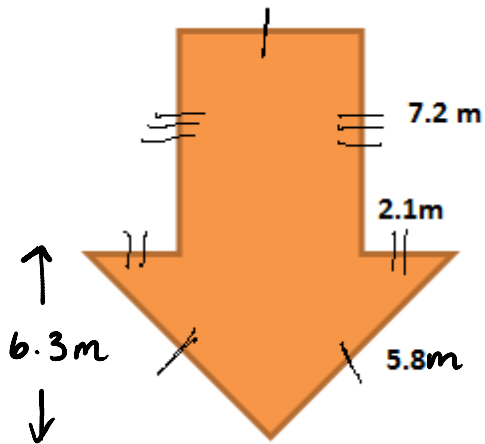
b)



c)



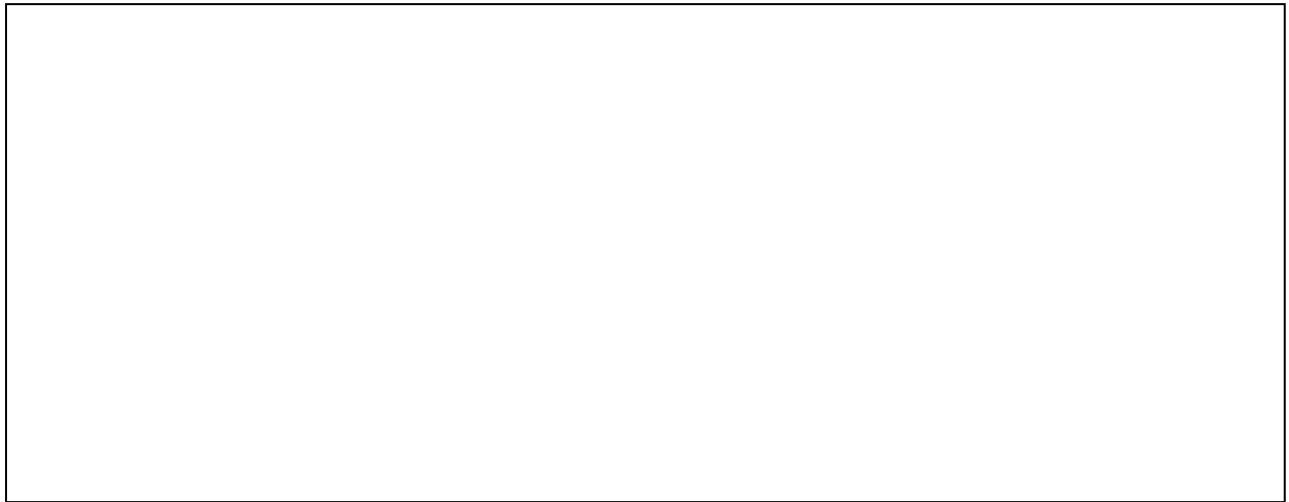
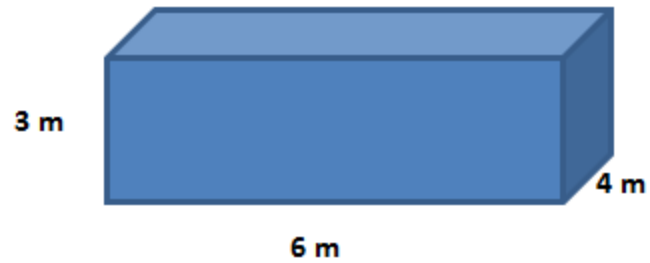
d)



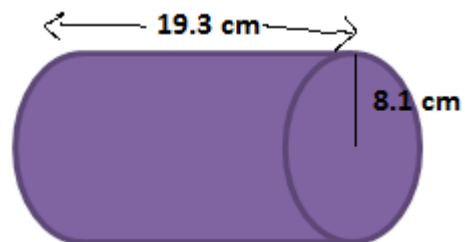
Surface Area, Volume and Capacity | Assignment 1

2. Draw nets for the following prisms and label the dimensions of each side.

a)

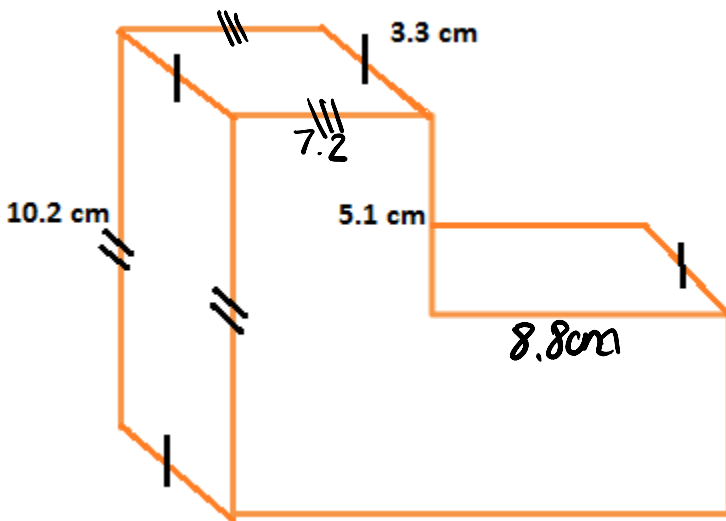


b)



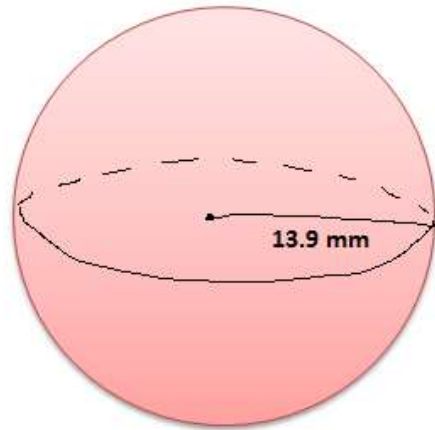
3. Find the surface area of the following figures.

a)

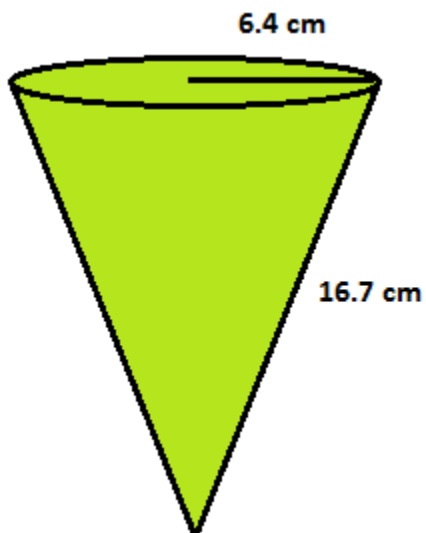


A large empty rectangular box provided for the student to show their work and calculate the surface area.

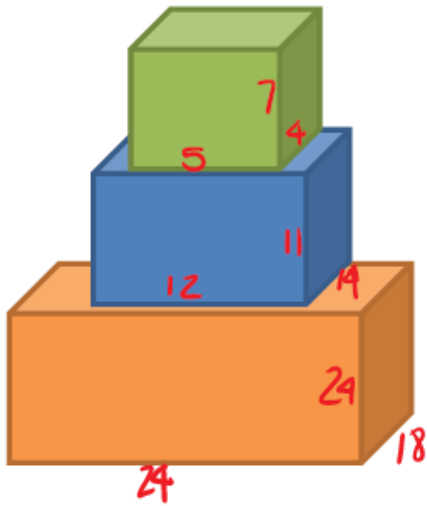
b)



c)



4.



The following is a diagram of three boxes stacked one on top of the other. The top boxes has measurements of 5 inches by 4 inches by 7 inches, the middle box has measurements of 12 inches by 14 inches by 11 inches and the bottom box has measurements of 24 inches by 18 inches by 24 inches. What is the surface area of the stack?

A large empty rectangular box provided for the student to write their answer to the problem.

Surface Area, Volume and Capacity | Assignment 1

5. A square based pyramid has surface area of 275 m^2 . If a side of the base measures 8 m, what is the slant height of the pyramid? Make sure to draw a diagram.

